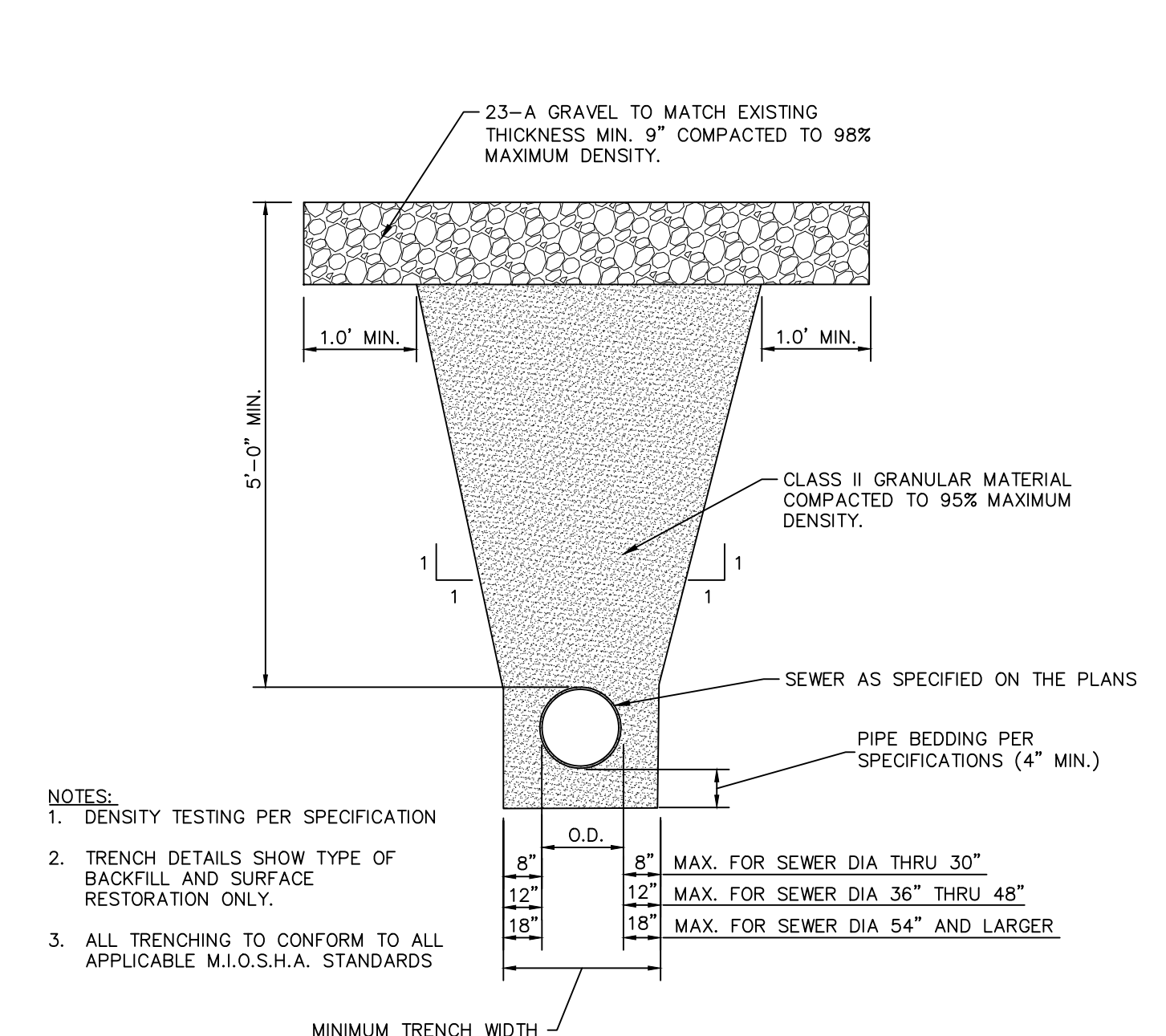
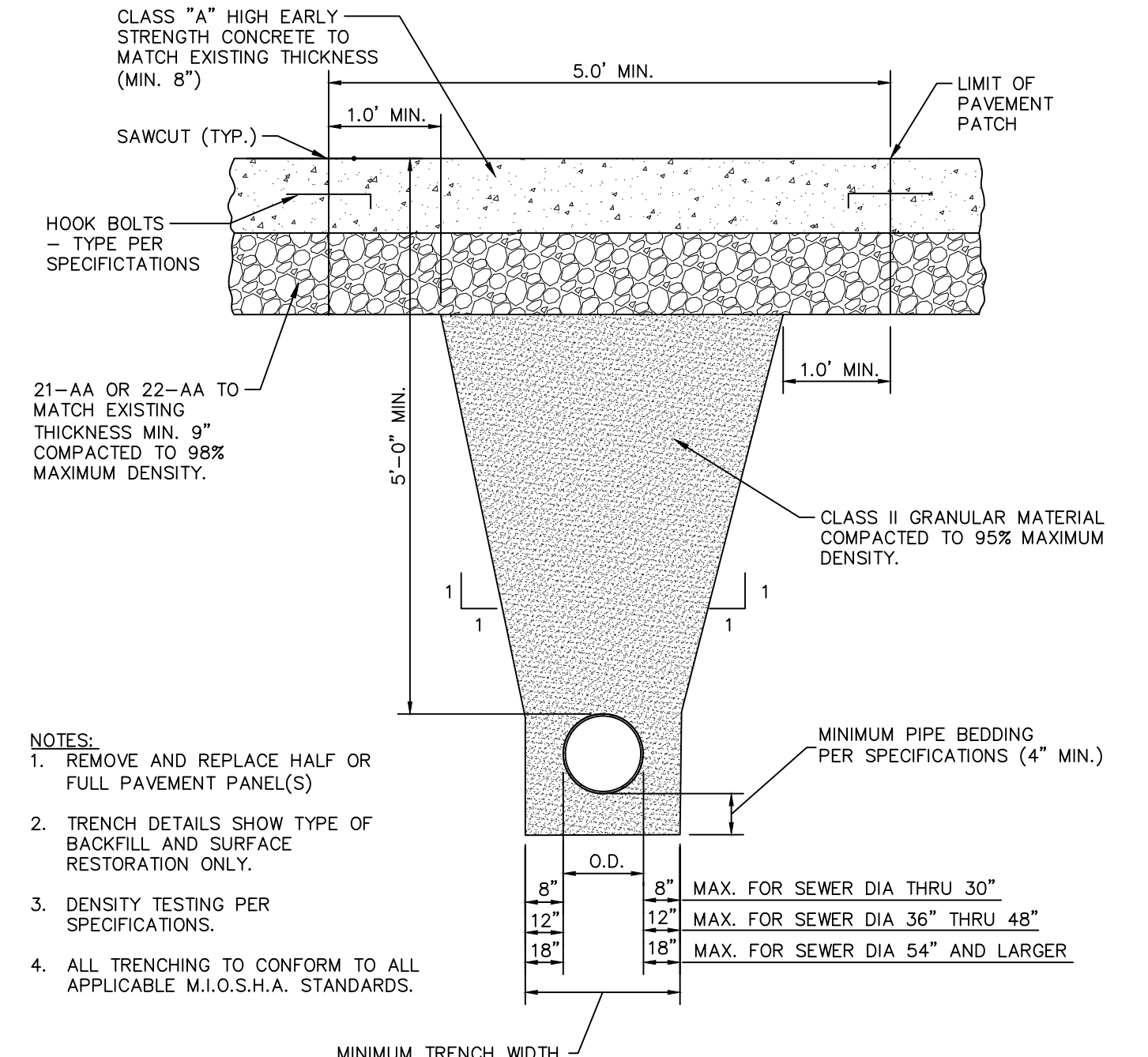


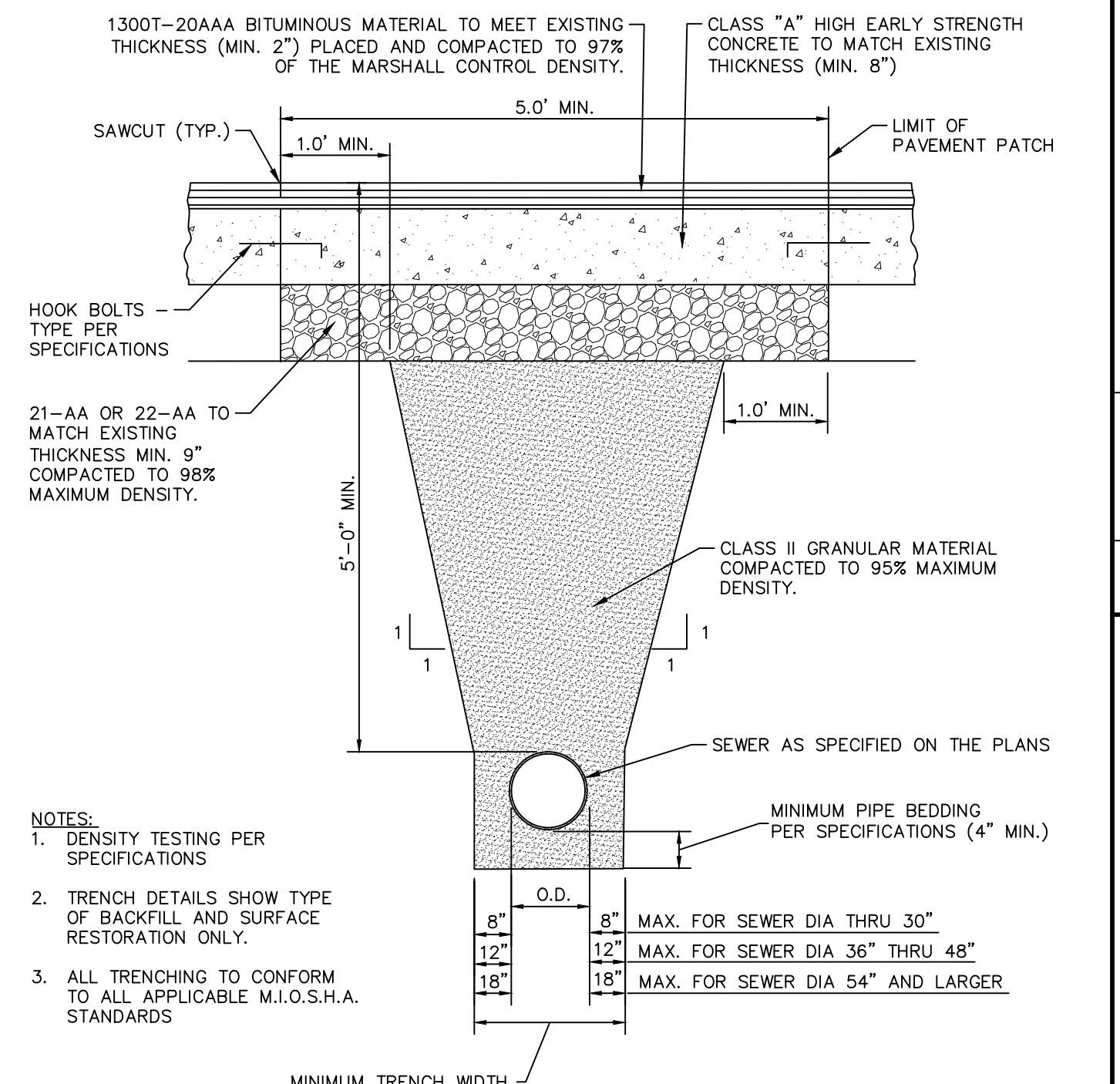
**UTILITY TRENCH-TYPE I**  
NOT TO SCALE



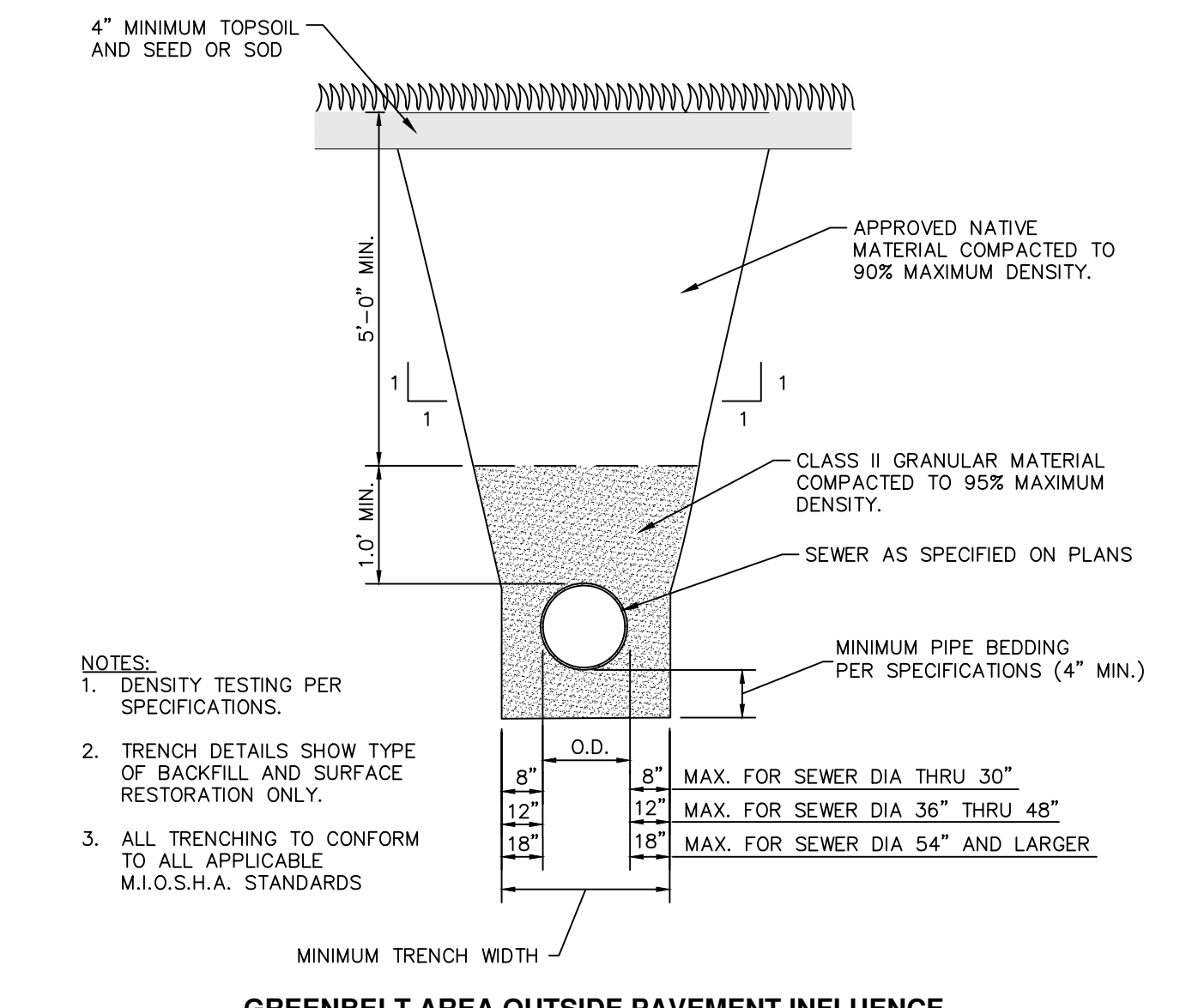
**UTILITY TRENCH-TYPE II**  
NOT TO SCALE



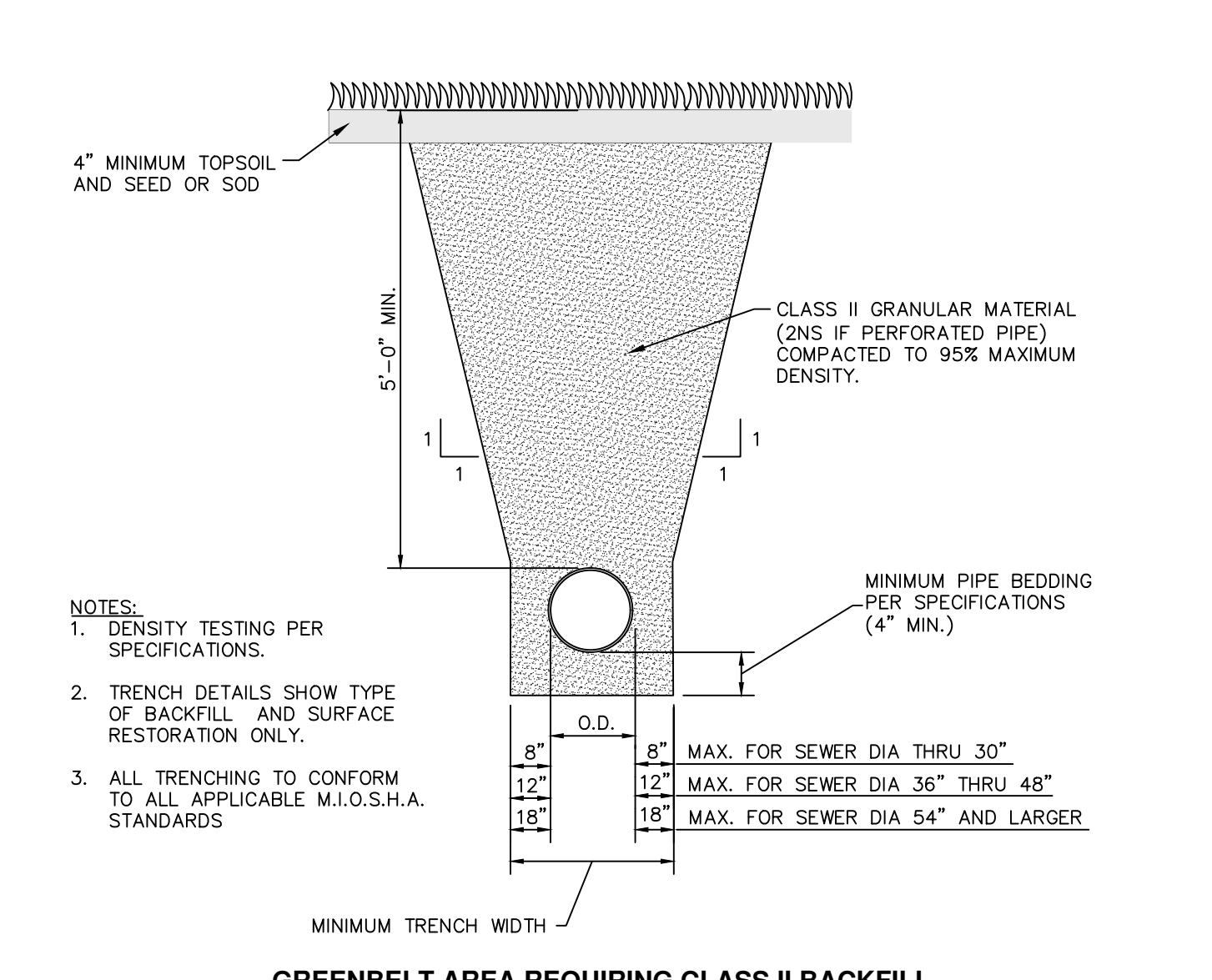
**UTILITY TRENCH-TYPE III**  
NOT TO SCALE



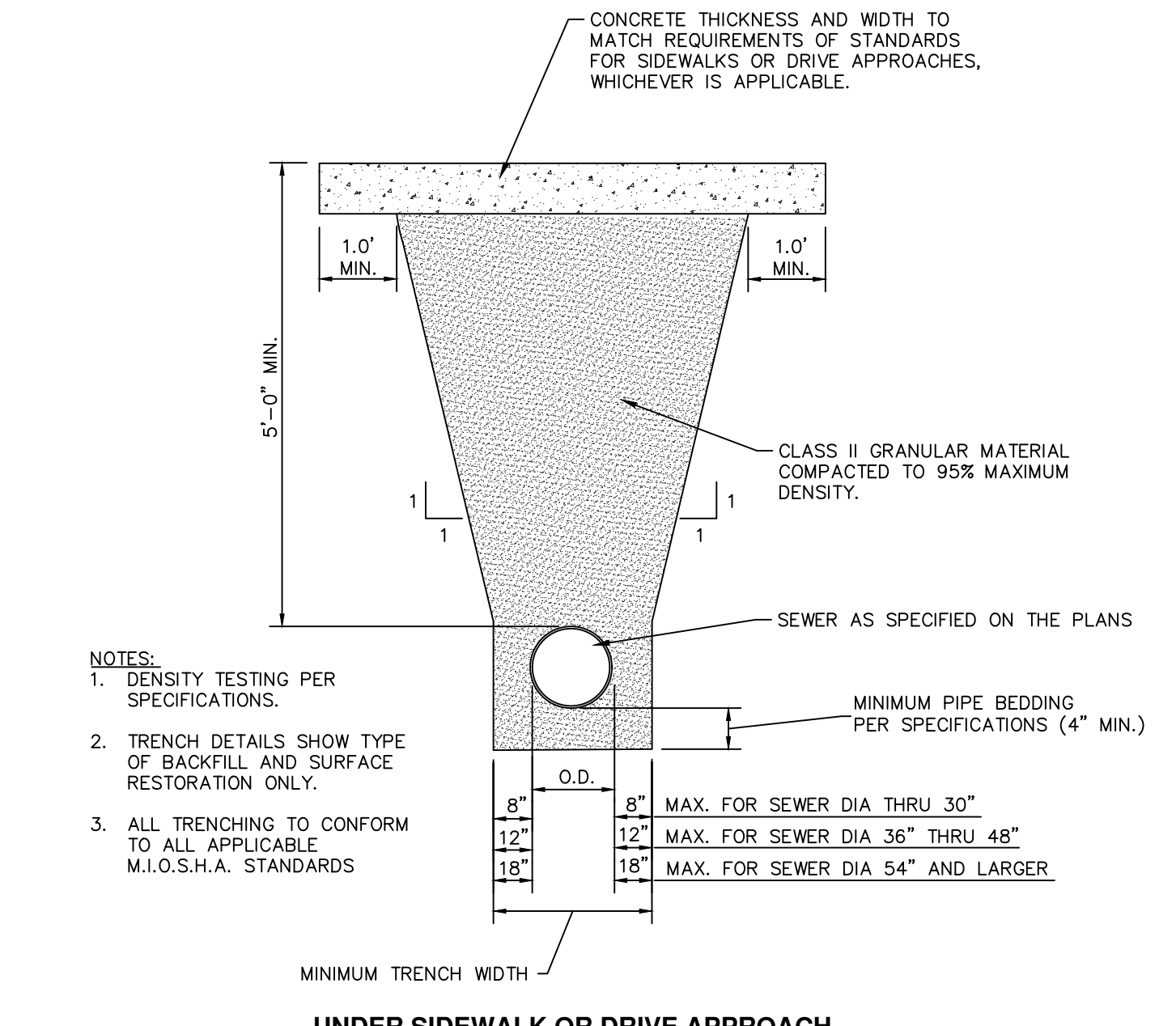
**UTILITY TRENCH-TYPE IV**  
NOT TO SCALE



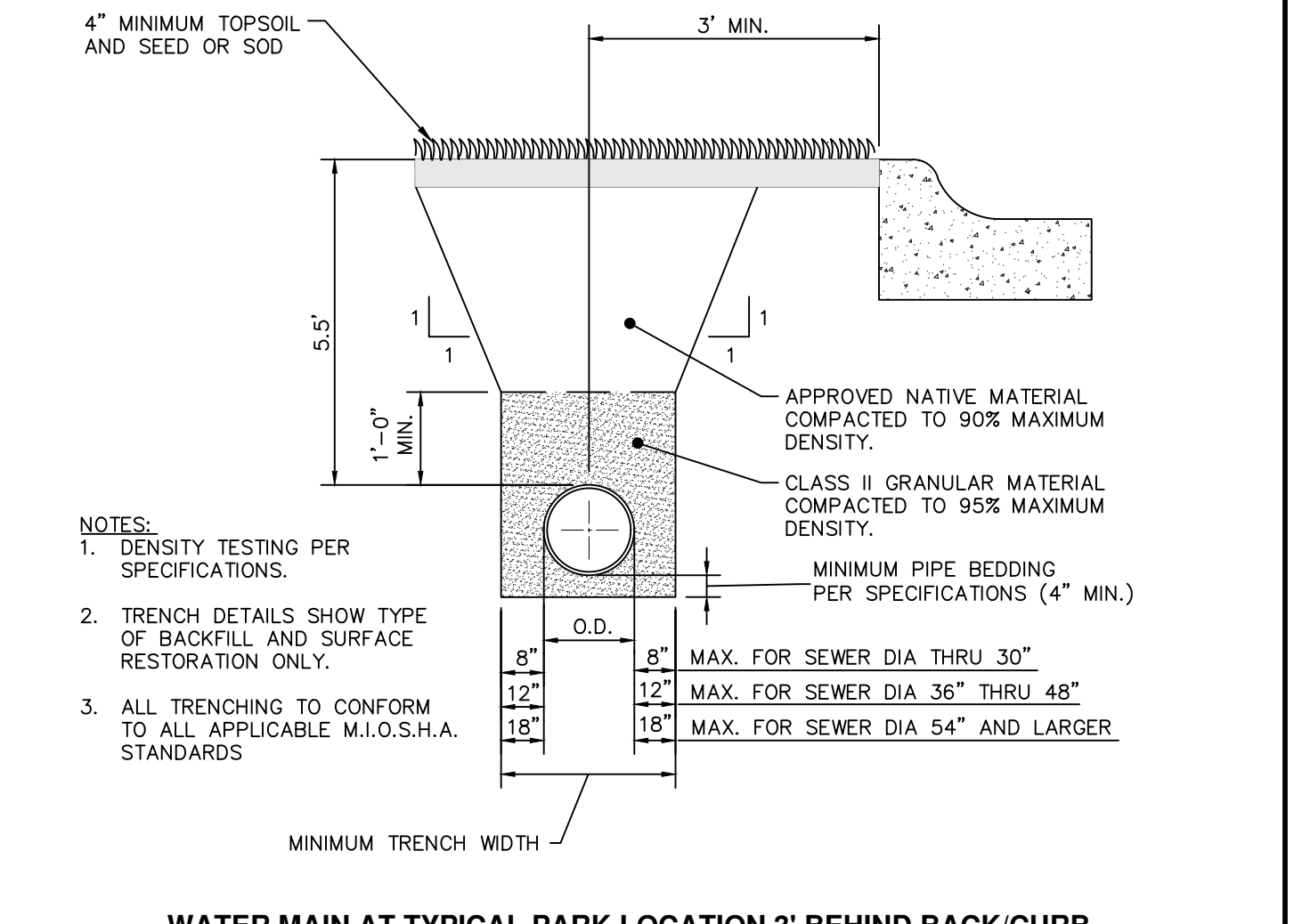
**UTILITY TRENCH-TYPE V**  
NOT TO SCALE



**UTILITY TRENCH-TYPE VI**  
NOT TO SCALE



**UTILITY TRENCH-TYPE VII**  
NOT TO SCALE



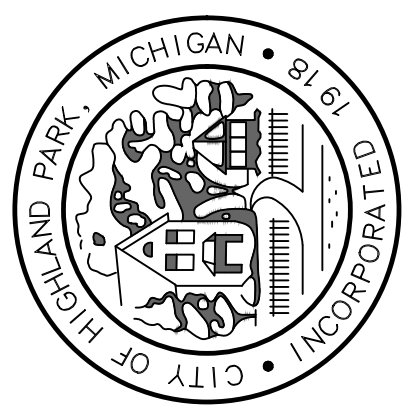
**UTILITY TRENCH-TYPE VIII**  
NOT TO SCALE



**UTILITY TRENCH-TYPE IX**  
NOT TO SCALE

ISSUED FOR:	
REV:	
DATE:	

**CITY OF HIGHLAND PARK**  
**STANDARD TRENCH DETAILS AND NOTES**  
**TRENCH - 1**

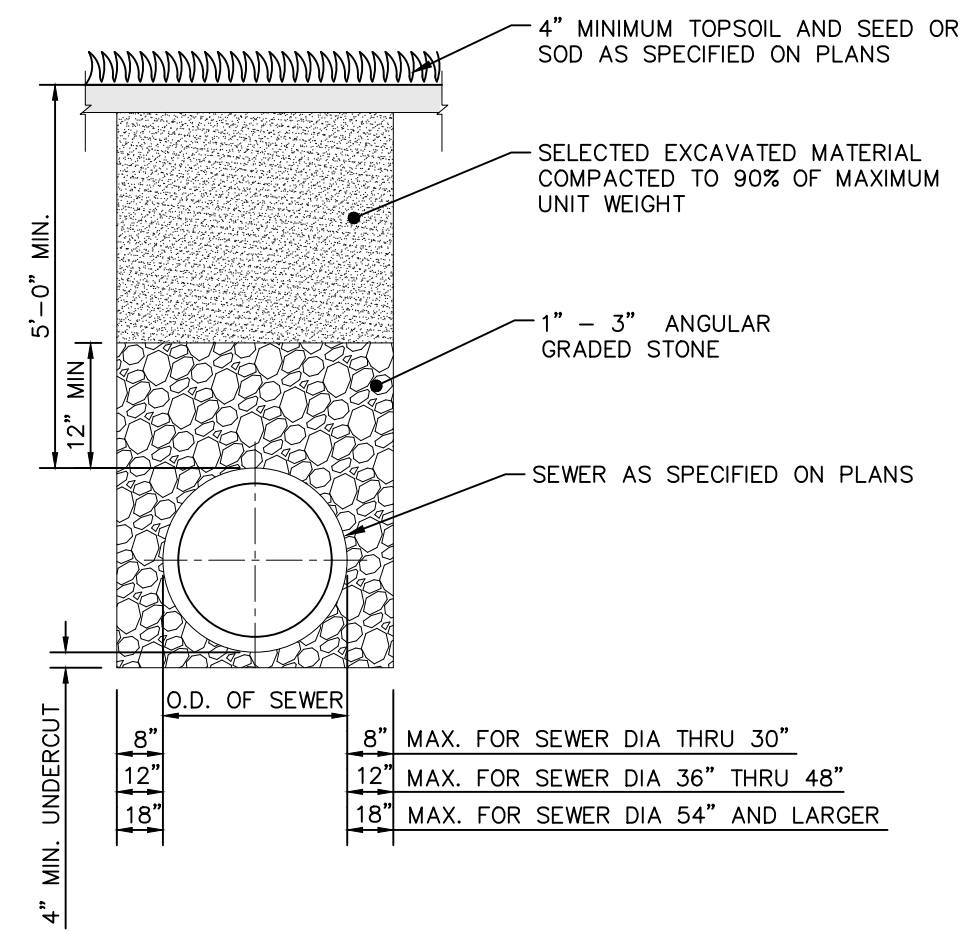


MCA JOB #: 1039-18-8756  
 DATE: 06.19.2023  
 SCALE: AS SHOWN PER DETAIL  
 DRAWN BY:  
 Metro Consulting Associates  
 DYNAMIC. DARING. DIVERSE. DIFFERENT.  
 COUNTY: WAYNE  
 SHEET: TR1

CONSTRUCTION SITE SAFETY IS THE RESPONSIBILITY OF THE CONTRACTOR. NEITHER THE OWNER NOR THE ENGINEER SHALL BE EXPECTED TO ASSUME ANY RESPONSIBILITY FOR SAFETY OF THE WORK, OF PERSONS ENGAGED IN THE WORK, OF ANY NEARBY STRUCTURES, OR OF ANY OTHER PERSONS.

THE LOCATIONS OF EXISTING UNDERGROUND UTILITIES ARE SHOWN IN AN APPROXIMATE WAY ONLY AND HAVE NOT BEEN INDEPENDENTLY VERIFIED. THE CONTRACTOR SHALL DETERMINE THE EXACT LOCATION OF ALL EXISTING UTILITIES BEFORE COMMENCING WORK, AND AGREES TO BE FULLY RESPONSIBLE FOR ANY AND ALL DAMAGES WHICH MIGHT BE OCCASIONED BY THE CONTRACTOR'S FAILURE TO EXACTLY LOCATE AND PRESERVE ANY AND ALL UNDERGROUND UTILITIES.

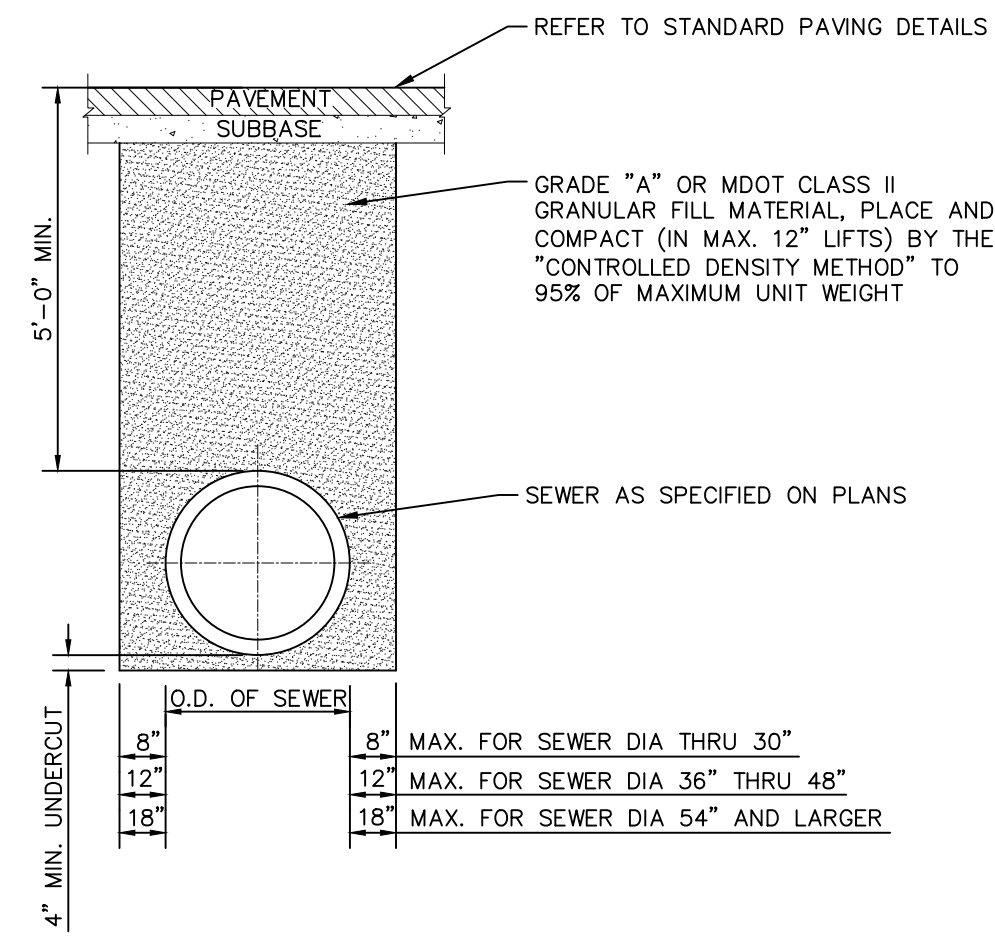




**STANDARD TRENCH DETAIL FOR SEWER  
UNDER BERMS, LAWNS, GRASSY AREAS,  
(OUTSIDE PAVEMENT INFLUENCE)**

**BEDDING PIPE SANITARY SEWER UNDER LANDSCAPE**

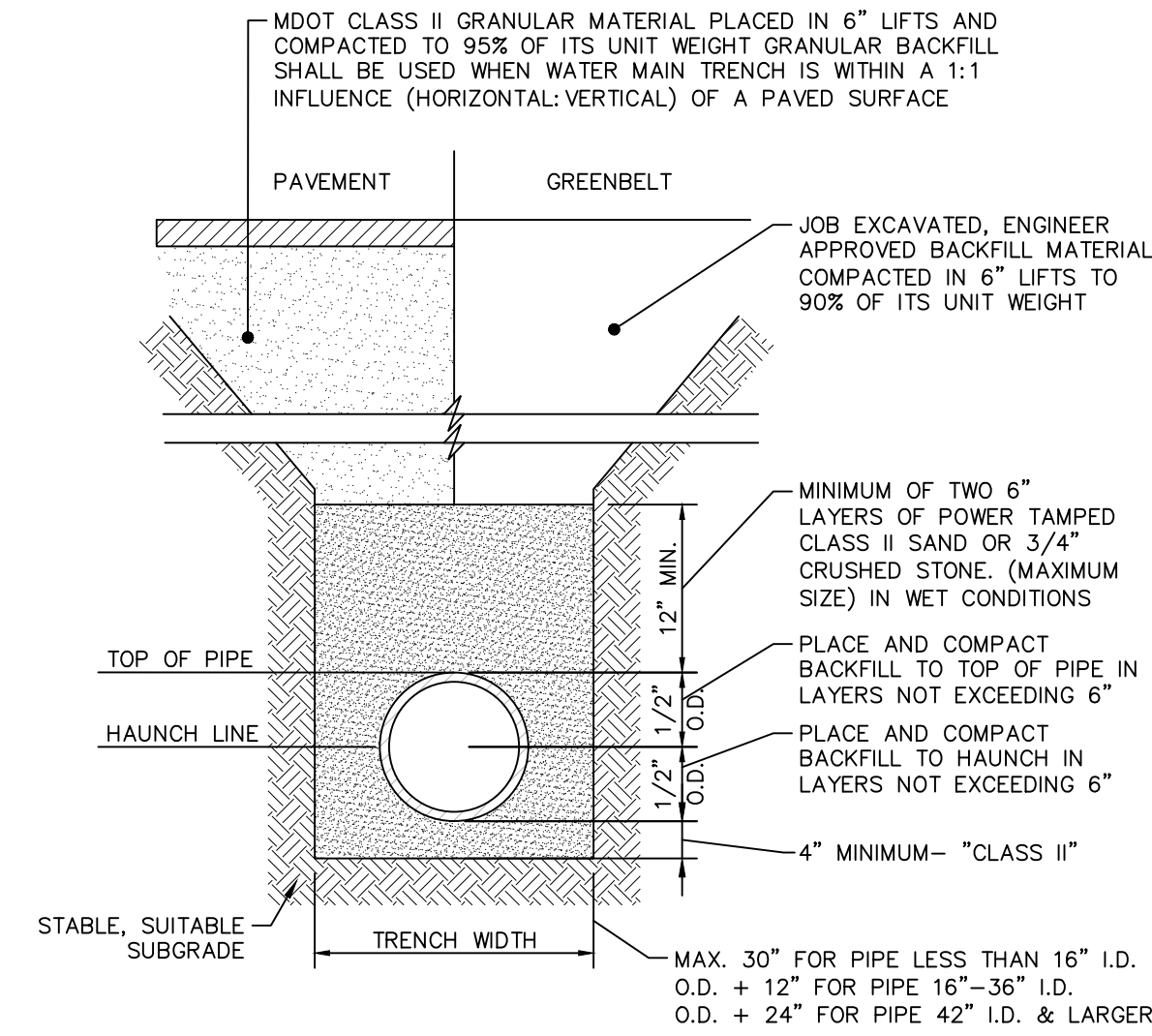
NOT TO SCALE



**STANDARD TRENCH DETAIL FOR SEWER  
UNDER ROAD BED, PARKING LOTS,  
SIDEWALKS, DRIVEWAYS, CURBS,  
GRAVEL ROADS, AND ALLEYS**

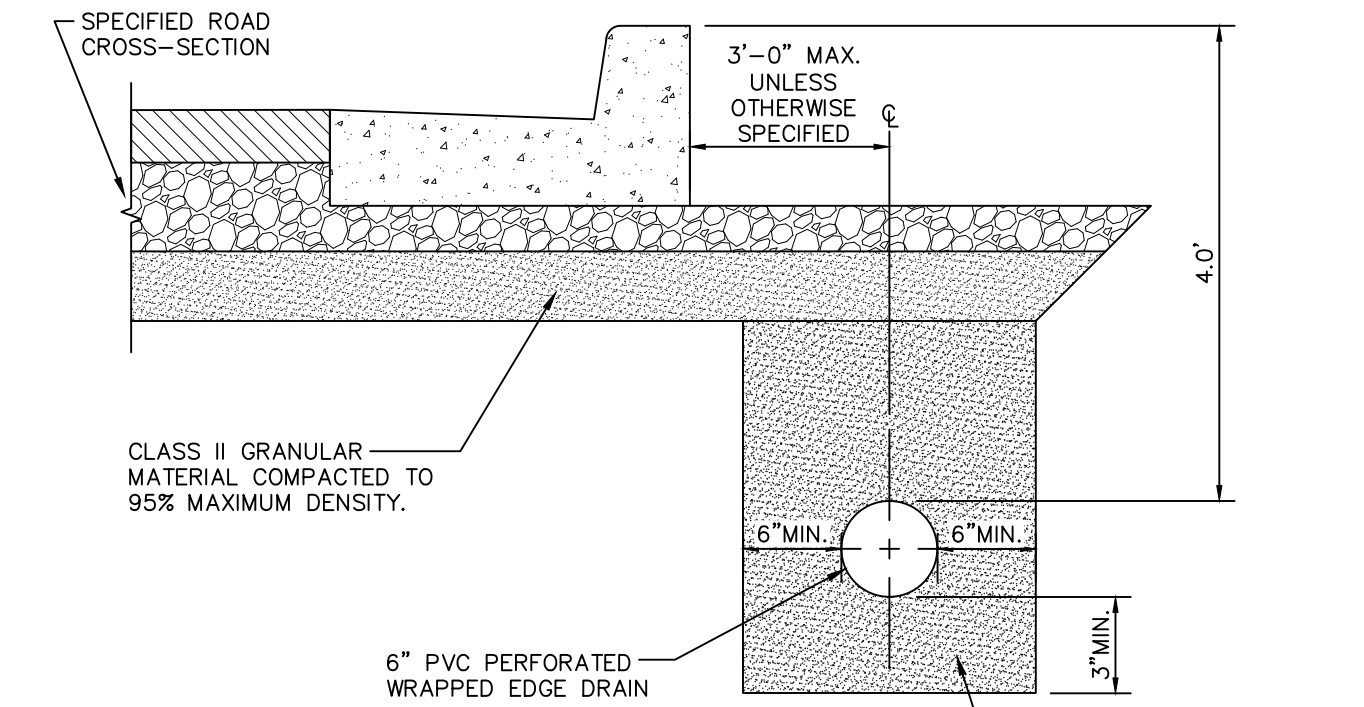
**BEDDING PIPE SANITARY SEWER UNDER PAVEMENT**

NOT TO SCALE



**STANDARD BEDDING FOR WATER MAIN**

NOT TO SCALE



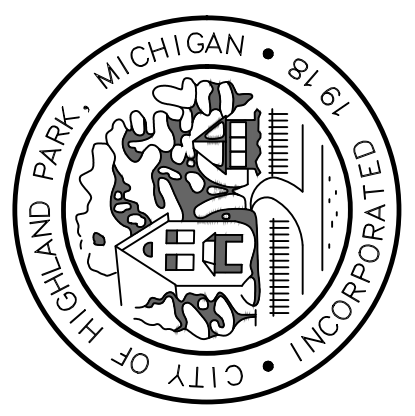
- NOTES:
1. FOR PAVEMENT BASE AND SUBBASE THICKNESS, SEE TYPICAL PAVEMENT CROSS-SECTION.
  2. DENSITY TESTING PER SPECIFICATIONS.
  3. TRENCH DETAILS SHOW TYPE OF BACKFILL AND SURFACE RESTORATION, ONLY.
  4. ALL TRENCHING TO CONFORM TO ALL APPLICABLE M.I.O.S.H.A. STANDARDS.

**TYPICAL EDGE DRAIN TRENCH**

NOT TO SCALE

ISSUED FOR:	
REV. DATE:	

**CITY OF HIGHLAND PARK  
STANDARD TRENCH DETAILS AND NOTES  
TRENCH-2**



MCA JOB #:	1039-18-8756
DATE:	06.19.2023
SCALE:	AS SHOWN PER DETAIL
DRAWN BY:	Metro Consulting Associates
COUNTY:	WAYNE
SHEET:	TR2

CONSTRUCTION SITE SAFETY IS THE RESPONSIBILITY OF THE CONTRACTOR. NEITHER THE OWNER NOR THE ENGINEER SHALL BE EXPECTED TO ASSUME ANY RESPONSIBILITY FOR SAFETY OF THE WORK, OF PERSONS ENGAGED IN THE WORK, OF ANY NEARBY STRUCTURES, OR OF ANY OTHER PERSONS.

THE LOCATIONS OF EXISTING UNDERGROUND UTILITIES ARE SHOWN IN AN APPROXIMATE WAY ONLY AND HAVE NOT BEEN INDEPENDENTLY VERIFIED. THE CONTRACTOR SHALL DETERMINE THE EXACT LOCATION OF ALL EXISTING UTILITIES BEFORE COMMENCING WORK, AND AGREES TO BE FULLY RESPONSIBLE FOR ANY AND ALL DAMAGES WHICH MIGHT BE OCCASIONED BY THE CONTRACTOR'S FAILURE TO EXACTLY LOCATE AND PRESERVE ANY AND ALL UNDERGROUND UTILITIES.

**811** Know what's below. Call before you dig.

COPYRIGHT © 2018 METRO CONSULTING ASSOCIATES; ALL RIGHTS RESERVED.